

SATURN

Full LED 5 functions headlight made in RFT technology



Compact housing Ø110 mm

- low beam
- high beam
- position light
- indicator
- DRL

Full LED Ø110 mm Saturn headlight

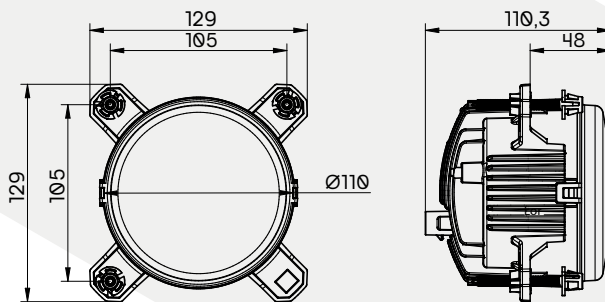


dedicated to special and municipal vehicles,
light trucks and delivery vehicles

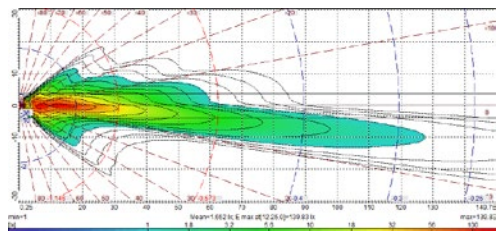
Manufacturer	Braslux
Source of light	LED in RFT technology
Voltage	12/24V
Dimensions	Ø110 mm
Connection	Superseal
IP Rating	IP69K
OE1182003651	Low beam, high beam, position light, indicator, DRL ECE R7, R87, R112, R148
OE1182002881	Low beam, high beam, position light, DRL ECE R7, R87, R112

The headlight has been designed so that the best technical parameters go hand in hand with an attractive appearance. Five functions fit into one housing - low beam, high beam, indicator, position and daytime running lights. At the moment, this is a rare solution on the market.

All this translates into an attractive product price for vehicles manufacturers.



Low beam diagram



High beam diagram

